

# ICX

THE FAIR  
PREMIUM  
IMPLANT-  
SYSTEM.

## ICX-SYSTEM PORTFOLIO

IMPLANTS - SURGERY  
PROSTHETICS - DIGITAL PLANNING  
ALL-IN-ONE SOLUTIONS



DISCOVER THE ICX-DIFFERENCE.

**medentis**<sup>®</sup>  
medical

WELCOME to **medentis**<sup>®</sup>  
medical



ICX PORTFOLIO | medentis

**ICX**  
THE SYSTEM  
WITH THE  
EASIEST  
PROSTHETICS  
HANDLING.

**GERMAN  
& SWISS  
MADE**



## ALEXANDER SCHOLZ

CEO, SHAREHOLDER  
AND FOUNDER MEDENTIS MEDICAL

ICX is not only exceptional because of the proven surface, the protected thread form, the slightly conical implant shape and the very stable, conical and rotation-protected inner connection and its clear and simple prosthetics, but at the same time stands for an exceptionally stable price policy.

For more than 15 years, medentis has been convincing customers with stable prices for its fair ICX prosthesis.

# ICX-SYSTEM PORTFOLIO

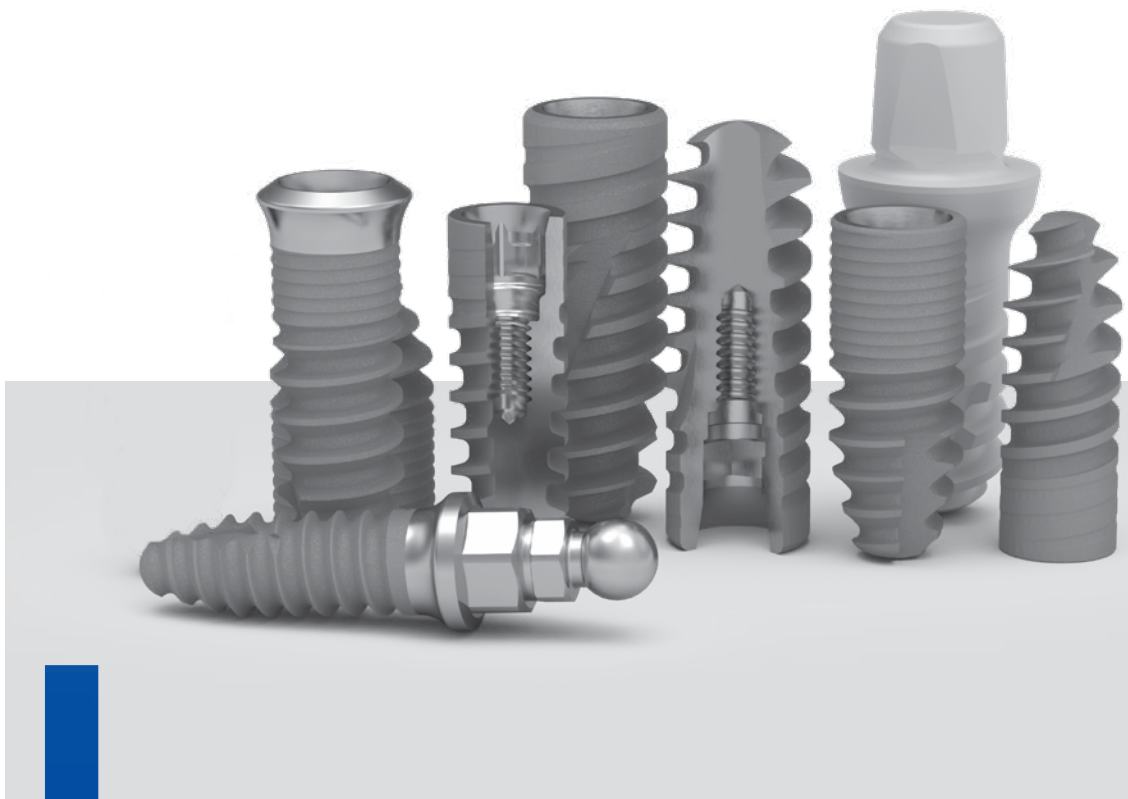
ICX-IMPLANTS	4
ICX-DRILLS	6
ICX-HEALING CAPS	8
ICX-DRILL STOP SLEEVES	9
ICX-PROSTHETICS	10
ICX-ABUTMENTS	12
ICX-MULTI CONCEPT	13
CERICX-ZIRCONIUM ABUTMENTS	14
ICX-MAXIMUS ABUTMENTS	15
ICX-IMPERIAL	16
ICX-MAGELLAN X	18
ICX-DENTA5	20

# ICX-IMPLANTS

GERMAN  
& SWISS  
MADE

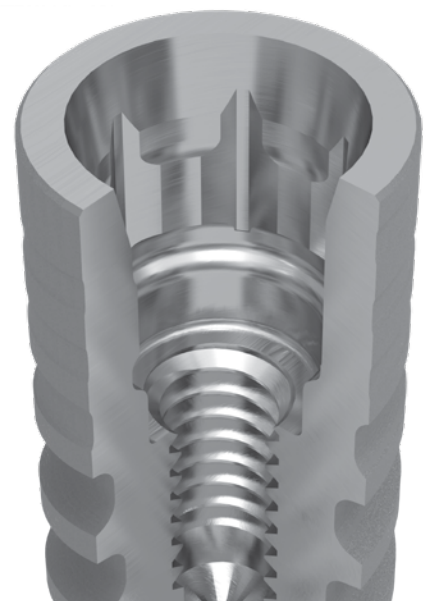


ICX PORTFOLIO | medentis



## OVERVIEW ICX-IMPLANTS

- ICX-MINI Ø 2.9mm Implants
- ICX-Ø 3.3mm (BL & TL) Implants
- ICX-ACTIVE LIQUID Implants
- ICX-PREMIUM Implants
- ICX-PREMIUM TISSUE LEVEL (TL) Implants
- ICX-ACTIVE-MASTER Implants
- ICX-ACTIVE-MASTER TISSUE LEVEL (TL) Implants
- ICX-ZYGOMA
- ICX-ACTIVE-WHITE Ceramic-Implants





ICX-PREMIUM/  
ICX-ACTIVE MASTER  
(BL + TL)



FOR EVERY  
INDICATION  
THE RIGHT  
ICX IMPLANT.  
  
WITH CERTAINTY.



ICX-ACTIVE LIQUID

## ICX-ACTIVE/ICX-ACTIVE LIQUID

ICX-ACTIVE LIQUID has a hydrophilic, microstructured surface.

We expect that the implant surface stored in sterile saline solution will accelerate the formation of the contact surface between bone and implant and in this way a secondary stability already in the earliest phase of healing.

This can then reduce the healing time and provide better early and immediate loading.



ICX-ZYGOMA

# ICX-DRILLS

ICX-AII-IN-ONE SURGERY BOX



Counterclockwise,  
non-cutting direction



Compression mode

Clockwise,  
Intersecting direction



Cutting mode

ICX PORTFOLIO | medentis



ICX-ALL-IN-ONE DRILLS - OSSEODENSIFICATION  
COMPRESSING AND CUTTING

ICX-PREMIUM- AND ICX-ACTIVE MASTER SURGICAL BOXES



medentis<sup>®</sup>  
medical



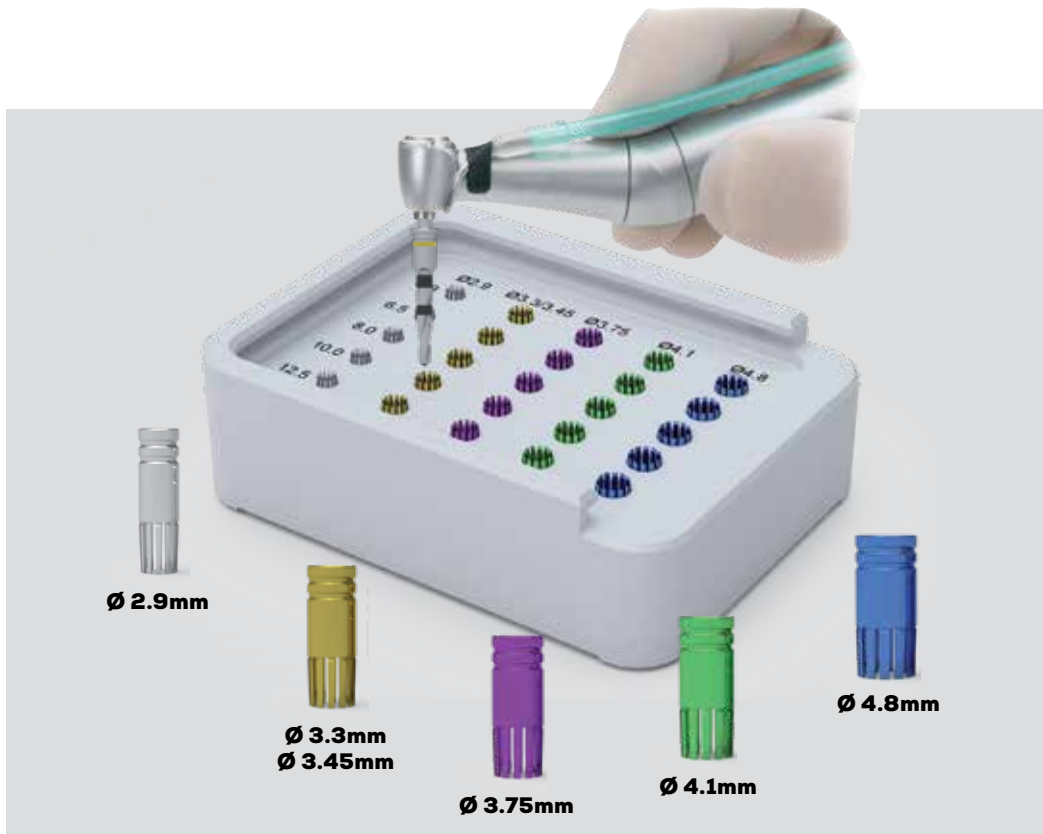
ICX standard drills for all lengths and diameters.

## The right drill for every implant.

The right drill for every ICX implant diameter.  
ICX provides precise and high-quality tools for  
the surgically required indications.

2.0

# ICX-DRILL STOP SLEEVES



ICX PORTFOLIO | medentis

## ICX-DRILL STOP SLEEVES

For the preparation of insertion of the now also available short 4.8 diameter ICX-Premium TL implants.

ICX-DRILL SLEEVE BOX  
(incl. 25 drill sleeves)



- Sterilizable
- Reusable
- Increased safety
- All lengths/diameters
- Clear and easy handling



# ICX-HEALING CAPS



ICX-HEALING CAPS  
(GINGIVA FORMER)

ICX-TL-HEALING CAPS  
CONICAL

ICX-HEALING CAPS  
(GINGIVA FORMER)  
CUSTOMIZABLE



ICX standard prosthetics

ICX PORTFOLIO | medentis



ICX 3.3mm prosthetics



# ICX-PROSTHETICS

GERMAN  
& SWISS  
MADE



ICX-MULTI Concept



## Easy to use - clear in handling.

For your prosthetic restorations, medentis offers you all the products you need - simply and clearly. With only two prosthetic lines the entire ICX spectrum is covered.

ICX

SIMPLY  
AND  
CLEAR.

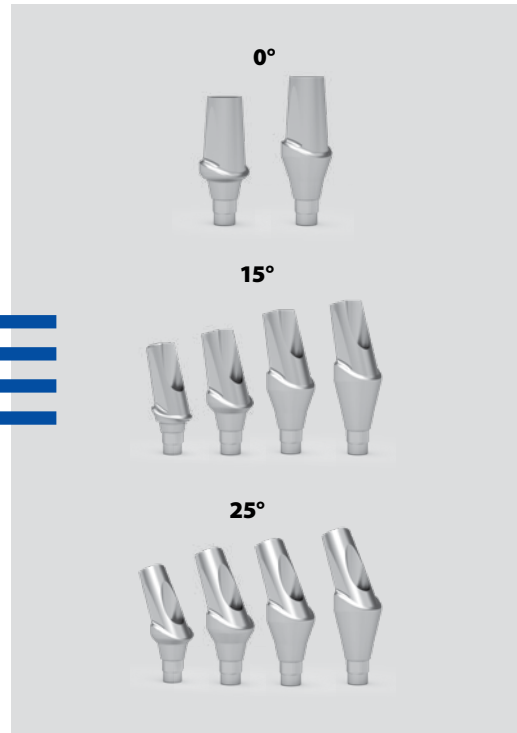
medentis<sup>®</sup>  
medical

# ICX-ABUTMENTS

ICX PORTFOLIO | medentis



ICX-TITANIUM  
ABUTMENTS



ICX-TITANIUM  
AESTHETIC ABUTMENTS

# ICX-MULTI CONCEPT



## THE ICX-MULTI® CONCEPT: 4-ON-ICX AND 6-ON-ICX

Field of application and indication

The ICX-MULTI® concept is a prosthetic concept for immediate restoration of edentulous patients. For better support of the temporary restoration, it is possible to place the posterior implants at a 17°, 35° or even 65° angle (also for ICX-ZYGOMA) distally. This angulation is compensated by the angulated abutments.

With the appropriate bone quality and quantity, immediate loading is even possible. For many patients, the dream of fixed teeth can therefore also be fulfilled economically. The fair prices of our ICX premium implants contribute significantly to this.

# CERICX-ZIRCONIUM ABUTMENTS

ICX PORTFOLIO | medentis



## CERICX-ZIRCONIUM-ABUTMENTS

0° degree and 15° degrees - with optimized prep limit for intraoral scanning systems and Cerec® scans - in three tooth colours and 5 gingiva heights:

For all ICX implants!

# ICX-MAXIMUS ABUTMENTS



## ICX-MAXIMUS ABUTMENTS

The one, & two-part ICX-MAXIMUS® abutments are an own further development of medentis medical and is compatible with the Locator™ abutments.

Available for all ICX implants!

## CM LOC®-MATRICES-SYSTEM

The CM LOC® matrices system are compatible with the ICX-MAXIMUS®, and LOCATOR™ abutments!

**GERMAN  
& SWISS  
MADE**



# ICX-IMPERIAL IN A SMILEBOX.

ICX PORTFOLIO | medentis



## THE MASTER CONCEPT

Since 2014, medentis medical has been offering the ICX-Imperial, a new type of complete digital system, which seamlessly combines innovative planning software with template-guided implant placement and CAD/CAM prosthetic treatment.

This enables patients to receive implants and fixed prostheses on the same day.





**GERMAN  
& SWISS  
MADE**



# THE UNIVERSAL TREATMENT CONCEPT

**FOR ALL INDICATIONS –  
ALL FROM ONE SOURCE!**

With the **ICX-IMPERIAL** concept from medentis even complex cases can be scheduled successfully. An example is a palate-free 6-on-ICX implantation in the maxilla, avoiding a sinus lift.

These indications range from the restoration of small or large interdental gaps and free-end situations to restoration with implant-supported complete dentures in the maxilla and mandible. Thanks to the prefabrication of the individualized aids, the three-dimensional data, the computer simulation of the implants including temporary teeth, the implantologist has everything at his disposal at the time of implant placement - whether analogue or digital - to make full use of his know-how.

## OUR ICX-SMILEBOX

For practitioners, the **ICX-IMPERIAL** concept forms the bridge between implant planning and the actual treatment.

The **ICX-MAGELLAN X** drill guide guarantees optimum comfort and safety during implant placement. In addition, with **ICX-IMPERIAL** you receive up to three drill guides, a printed 3D model, all the necessary implants and abutments, as well as the CAD/CAM-milled **ICX-SmileBridge** - all delivered in our easy-to-use **ICX-SMILEBOX!**



**ICX-SMILEBOX**

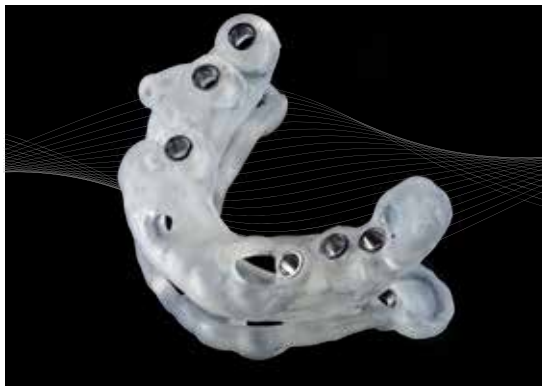


# ICX-MAGELLAN X



Based on the number of implants, incl. up to 14 drill stops and up to 6 fixation sleeves per jaw - with supplied STL files and free express delivery!

ICX PORTFOLIO | medentis



3D printed ICX drilling templates



## THE DIGITAL WORKFLOW IS BECOMING REALITY WITH ICX-MAGELLAN X!

Teamwork in the CLOUD: the surgeon plans ...the dental technician is able to comment to this immediately and the prosthodontist observes and can intervene at any time with a Mouse click. This makes implant planning more efficient and lead to shorter treatment times and predictable desired results.





# The "ALL-IN-ONE" PLANNING IN THE CLOUD. WORK WITH THE TEAM IN THE CLOUD!

ICX-MAGELLAN X is a significant further development of the well-known ICX-MAGELLAN software. This includes the fact, that ICX-MAGELLAN X is now cloud-based and impresses with a new user interface, an app-based communication platform and the option to produce your own templates.

In addition and even more important are more satisfied and pleased patients. After all, the planned promised treatment will be completed in terms of aesthetics and duration of treatment, within the planned budget and with the desired result.

In addition, treatment times are shortened, when everyone works together in the ICX-MAGELLAN X digital workflow. ICX-MAGELLAN X increases the probability immensely, that the planned treatment and expenses can be realized on a 1:1 basis in a predictable and reduced time frame.

## WITH ICX-MAGELLAN X FROM PLANNING TO IMPLANTATION IN JUST A FEW STEPS

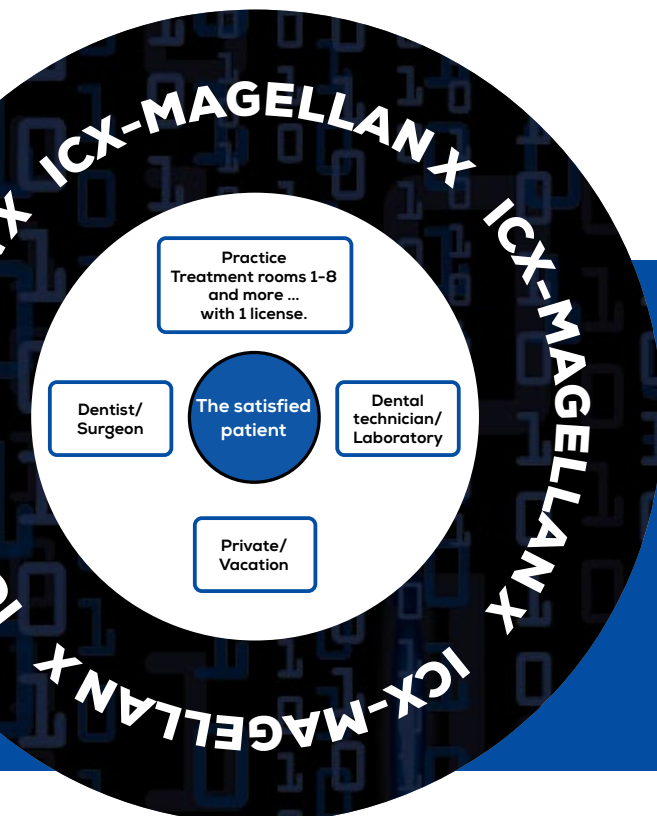
With the use of ICX-MAGELLAN X you get a complete diagnostic overview and can schedule your implant procedure with a view to the final prosthetic outcome.

The intuitive and user-friendly workflow makes it easy to use. An integrated assistant helps you through the entire planning process. Identify the ideal implant position taking into account bone quantity and quality, anatomical structures and prosthetic requirements.



With 1 licence = multi-user access

Always & everywhere unlimited access to the cloud-based ICX-MAGELLAN X software.



## WHEN WILL YOU START THE FUTURE WITH ICX-MAGELLAN X?

Increase your treatment competence with ICX-MAGELLAN X and communicate effectively with your patients.

# ICX-DENTA5<sup>®</sup>

THE 5-AXIS DENTAL MILLING CENTRE FROM MEDENTIS.



CAD/CAM.  
REDIFINED.



ICX-DENT

medentis  
medical

# ICX-DENTA5®

***We are the digital arm  
of the medentis family!***

Our guiding principle „Quality and service for our customers“ is also lived here and is the basis of our milling and service centre. It is our top priority to identify and develop new innovations and better solutions in the dental field.

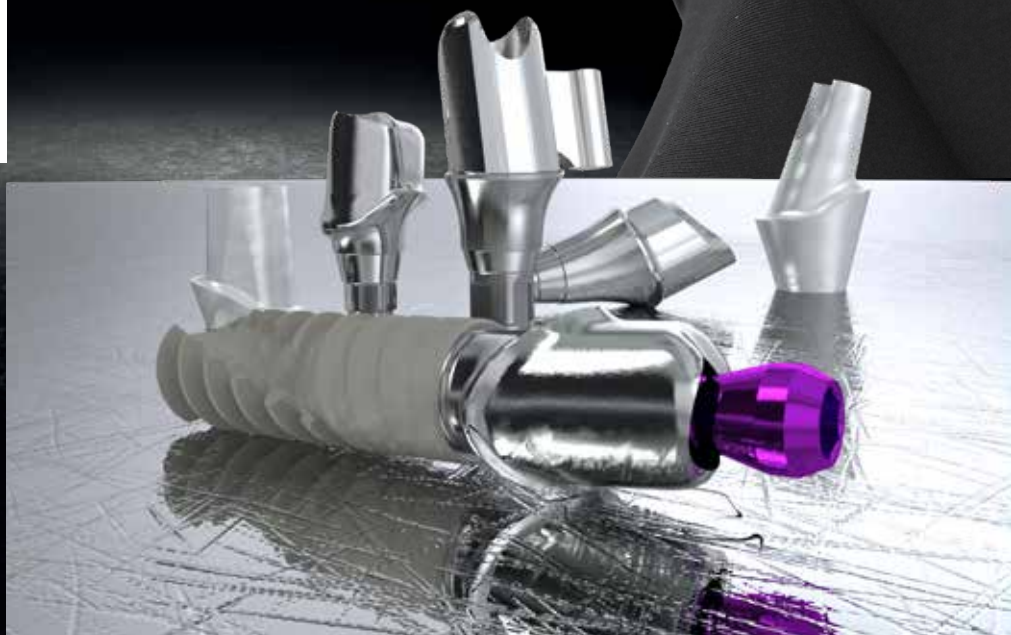
**ICX-DENTA5® – our products for you..**

Continuous development and testing at the highest level offers our customers innovative dental technology and the resulting user-friendly products.

At ICX-DENTA5, you can obtain high-quality dentures made of various materials and in all indications - directly from our competent contacts.



# TA5



# CRAFTED BY ICX-DENTA5.

## OUR SERVICES FOR YOU.

We offer high-quality manufacturing and take on the following services:

### Model and digital STL dispatch

#### 1. MODEL DISPATCH

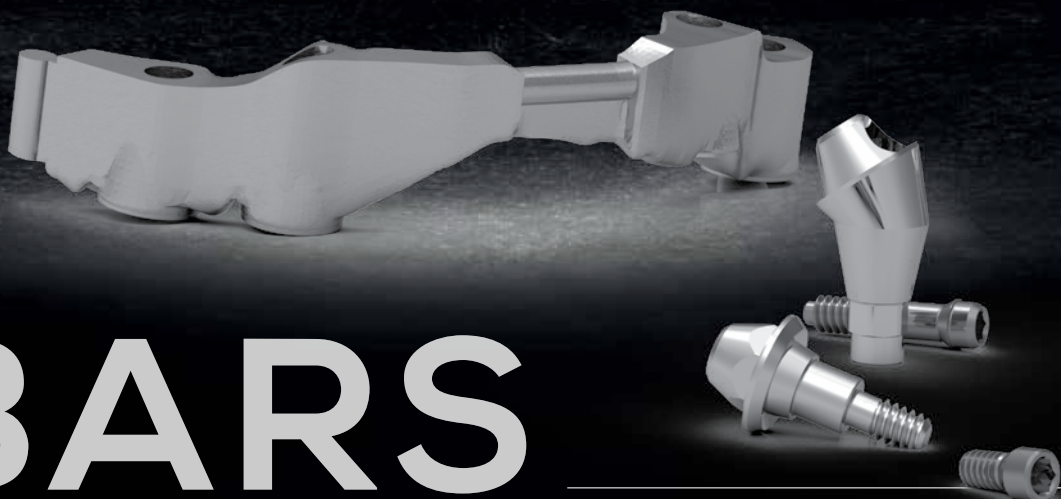
- ➡ You first send us your models, including the ICX-denta5 order form.
- ➡ After detailed planning, our ICX-denta5 experts virtually scan and model virtually model a digital specification, which you can then correct and confirm it in 3D webview-based format.
- ➡ After that, the data released by you will be manufactured by us.

#### 2. DIGITAL STL DISPATCH

- ➡ You can conveniently send us your STL data.

Please use our upload service at:

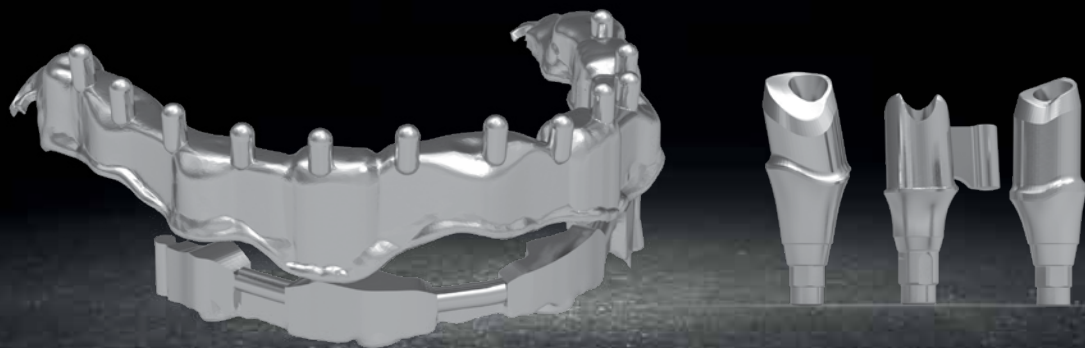
<https://auftrag.icx-denta5.de>



# BARS

ICX-DENTAS

DEMAND.  
QUALITY.  
VALUE.



THE 5-AXIS DENTAL MILLING CENTRE FROM MEDENTIS.

**medentis**  
medical

# ICX

THE FAIR  
PREMIUM  
IMPLANT-  
SYSTEM.



## ICX-SYSTEM PORTFOLIO

**GERMAN  
& SWISS  
MADE**



medentis medical GmbH · Walporzheimer Str. 48-52 · 53474 Bad Neuenahr/Ahrweiler · Germany

Tel.: +49 (0)2641 9110-0

[www.medentis.de](http://www.medentis.de)

*BE SMART. BE ICX.*

**medentis**<sup>®</sup>  
medical